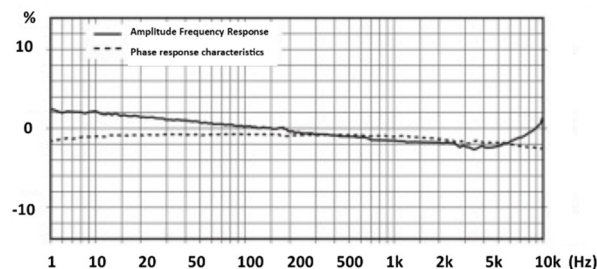
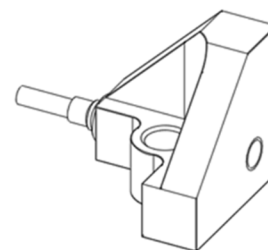
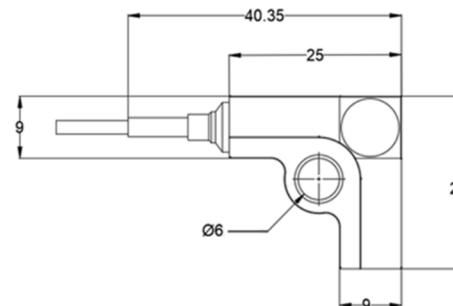


- Shock IEPE Accelerometer
- Shear design
- Piezoelectric ceramic PZT-5
- Range ±5000g
- Mass 23.5grams
- Integral cable
- Ø6mm Through hole mounting

The VST-5K is an IEPE triaxial shock accelerometer offering dedicated shock measurement capability in three axis. With a ±5000g range the VST-5K combines the flexibility of IEPE (Integrated Electronics Piezoelectric) technology with the reliability of a robust titanium fully welded construction.

Kemo can also offer cables and signal conditioning solutions for use with their full range of accelerometers.

Specification	Metric	Imperial
Sensitivity	0.1mV/(m/s ²)	1mV/g
Measurement Range (pk)	±49000m/s ²	±5000g
Frequency Range ±10%	1 to 10000 Hz	
Resonant Frequency	≥25 kHz	
Non-Linearity	≤1 %	
Transverse Sensitivity	≤5 %	
Overload Limit (Shock)	±78,400(m/s ²)pk	±8000gpk
Operating Temp. Range	-40 to +85°C	-40 to +185°F
Polarity ↑	Positive	
Compliance Voltage (Supply)	+18 to +28 VDC	
Current range	2 – 10mA	
Output Bias Voltage	11VDC ± 1.5VDC	
Output Impedance	≤100Ω	
Size (excluding connector)	25x25x25mm	0.98"x0.98"x0.98"
Weight	23.5gm	0.82oz
Sensing Geometry	Shear	
Sensing Element Material	PZT-5	
Case Material	Titanium	
Connector Position	Side	
Case sealing	Hermetic	
Electrical Connection Type	Integral cable ending in ¼-28UNF 4 pin plug	
Mounting	Ø6mm through hole	



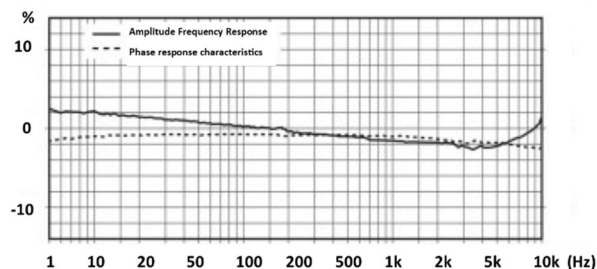
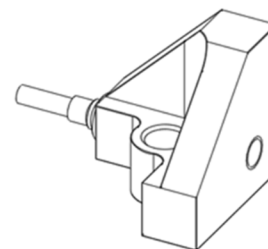
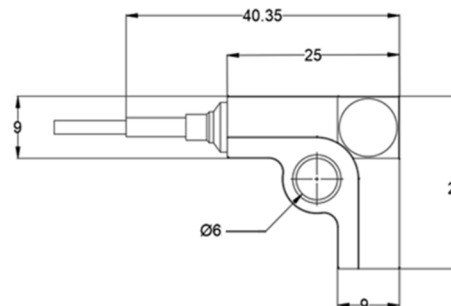
Kemo has a range of cable assemblies available for use with the VST-5K and other IEPE accelerometers.

- 7F82-50 - 5m cable ending in 3 x BNC plugs (X, Y, Z)
- 7F82-30 - 3m cable ending in 3 x BNC plugs (X, Y, Z)
- 7F81-50 - 5m cable ending in 3 x microdot plugs (X, Y, Z)
- 7F81-30 - 3m cable ending in 3 x microdot plugs (X, Y, Z)

- Shock IEPE Accelerometer
- Shear design
- Piezoelectric ceramic PZT-5
- Range ±10000g
- Mass 23.5grams
- Integral cable
- Ø6mm Through hole mounting

The VST-10K is an IEPE triaxial shock accelerometer offering dedicated shock measurement capability in three axis. With a ±10000g range the VST-10K combines the flexibility of IEPE (Integrated Electronics Piezoelectric) technology with the reliability of a robust titanium fully welded construction. Kemo can also offer cables and signal conditioning solutions for use with their full range of accelerometers.

Specification	Metric	Imperial
Sensitivity	0.05mV/(m/s ²)	0.5mV/g
Measurement Range (pk)	±98000m/s ²	±10000g
Frequency Range ±10%	1 to 10000 Hz	
Resonant Frequency	≥25 kHz	
Non-Linearity	≤1 %	
Transverse Sensitivity	≤5 %	
Overload Limit (Shock)	±117,600(m/s ²)pk	±12000gpk
Operating Temp. Range	-40 to +85°C	-40 to +185°F
Polarity ↑	Positive	
Compliance Voltage (Supply)	+18 to +28 VDC	
Current range	2 – 10mA	
Output Bias Voltage	11VDC ± 1.5VDC	
Output Impedance	≤100Ω	
Size (excluding connector)	25x25x25mm	0.98"x0.98"x0.98"
Weight	23.5gm	0.82oz
Sensing Geometry	Shear	
Sensing Element Material	PZT-5	
Case Material	Titanium	
Connector Position	Side	
Case sealing	Hermetic	
Electrical Connection Type	Integral cable ending ¼-28UNF 4 pin plug	
Mounting	Ø6mm through hole	



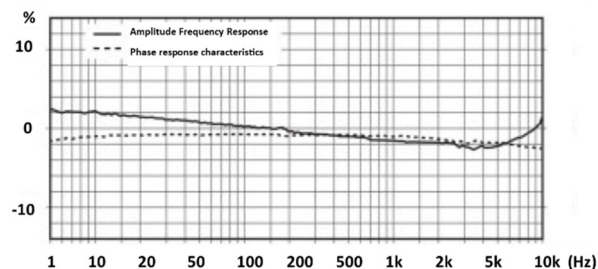
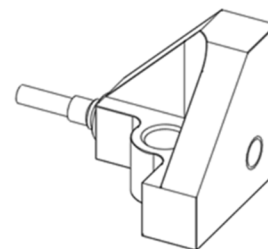
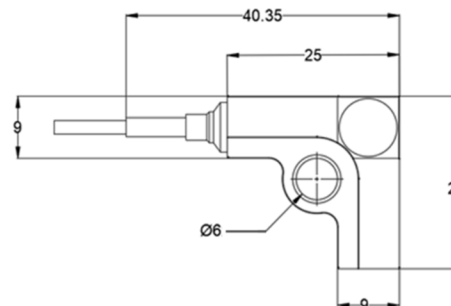
Kemo has a range of cable assemblies available for use with the VST-10K and other IEPE accelerometers.

- 7F82-50 - 5m cable ending in 3 x BNC plugs (X, Y, Z)
- 7F82-30 - 3m cable ending in 3 x BNC plugs (X, Y, Z)
- 7F81-50 - 5m cable ending in 3 x microdot plugs (X, Y, Z)
- 7F81-30 - 3m cable ending in 3 x microdot plugs (X, Y, Z)

- Shock IEPE Accelerometer
- Shear design
- Piezoelectric ceramic PZT-5
- Range ±20000g
- Mass 23.5grams
- Integral cable
- Ø6mm Through hole mounting

The VST-20K is an IEPE triaxial shock accelerometer offering dedicated shock measurement capability in three axis. With a ±20000g range the VST-20K combines the flexibility of IEPE (Integrated Electronics Piezoelectric) technology with the reliability of a robust titanium fully welded construction. Kemo can also offer cables and signal conditioning solutions for use with their full range of accelerometers.

Specification	Metric	Imperial
Sensitivity	0.025mV/(m/s ²)	0.25mV/g
Measurement Range (pk)	±196000m/s ²	±20000g
Frequency Range ±10%	1 to 10000 Hz	
Resonant Frequency	≥25 kHz	
Non-Linearity	≤1 %	
Transverse Sensitivity	≤5 %	
Overload Limit (Shock)	±215,700(m/s ²)pk	±22000gpk
Operating Temp. Range	-40 to +85°C	-40 to +185°F
Polarity ↑	Positive	
Compliance Voltage (Supply)	+18 to +28 VDC	
Current range	2 – 10mA	
Output Bias Voltage	11VDC ± 1.5VDC	
Output Impedance	≤100Ω	
Size (excluding connector)	25x25x25mm	0.98"x0.98"x0.98"
Weight	23.5gm	0.82oz
Sensing Geometry	Shear	
Sensing Element Material	PZT-5	
Case Material	Titanium	
Connector Position	Side	
Case sealing	Hermetic	
Electrical Connection Type	Integral cable ending in ¼-28UNF 4 pin plug	
Mounting	Ø6mm through hole	



Kemo has a range of cable assemblies available for use with the VST-20K and other IEPE accelerometers.

- 7F82-50 – 5m cable ending in 3 x BNC plugs (X, Y, Z)
- 7F82-30 - 3m cable ending in 3 x BNC plugs (X, Y, Z)
- 7F81-50 - 5m cable ending in 3 x microdot plugs (X, Y, Z)
- 7F81-30 - 3m cable ending in 3 x microdot plugs (X, Y, Z)